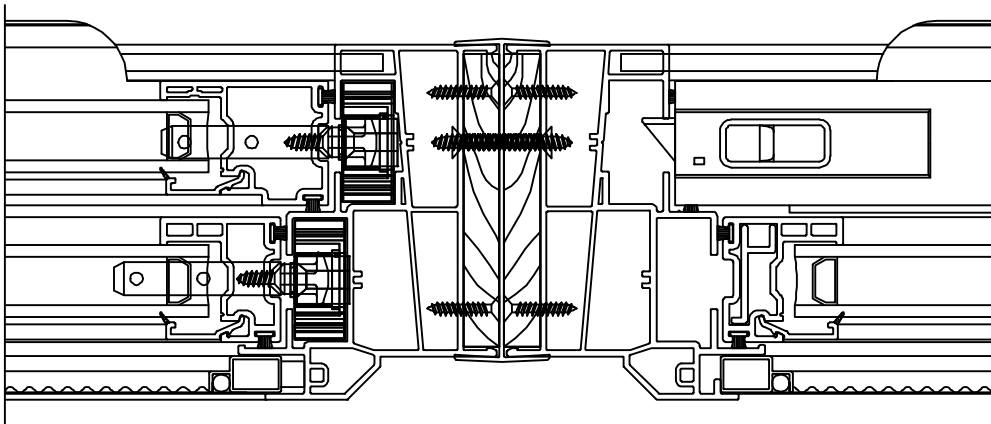
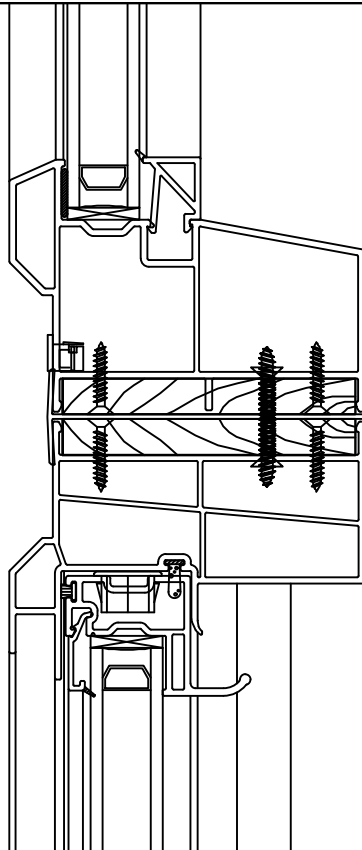


Horizontal Standard Mull



Vertical Standard Mull to Picture



Edgemont Double Hung
Mull Details

UPDATED BY: RAS

DATE: 02/07/2014

SCALE: 1:2

SECT. 4.3

PAGE: 4