

1

Measuring.

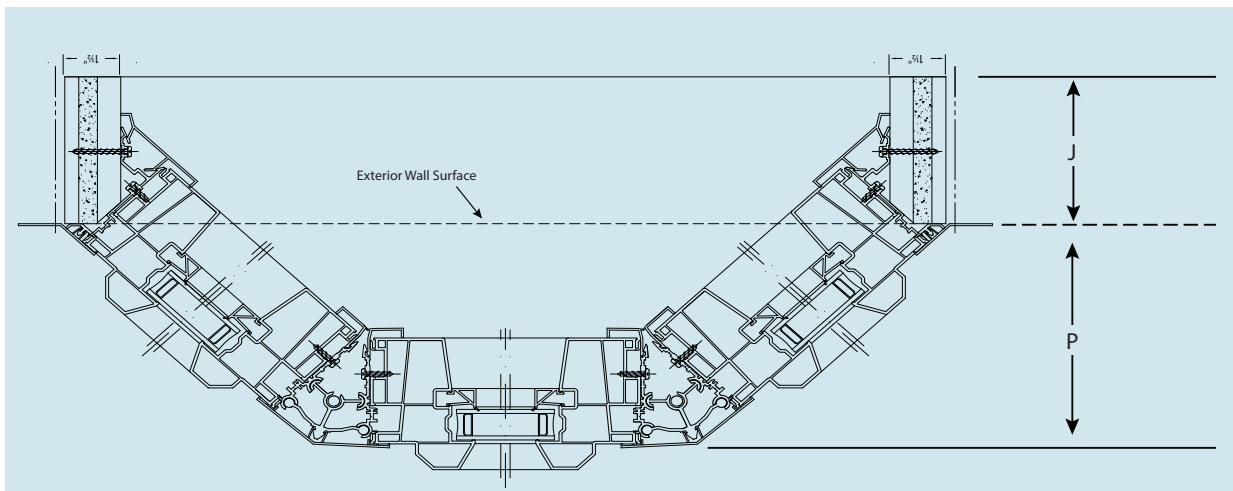
For new construction:

- frame out the opening to 1/2" larger in width and height than the bay or bow window frame size.

For replacement of an existing unit, remove enough of the interior trim to:

- measure the existing window frame
- measure the clearance between trimmer studs
- measure the total clearance between the bottom of the existing header and the top of the rough sill.

Check for plumb wall and level sill conditions. Confirm with diagonal measurements. If diagonals are different dimensions, either the sill is out of level, or the wall is racked, or both, and deductions to the make size will need to be made in width and or height.



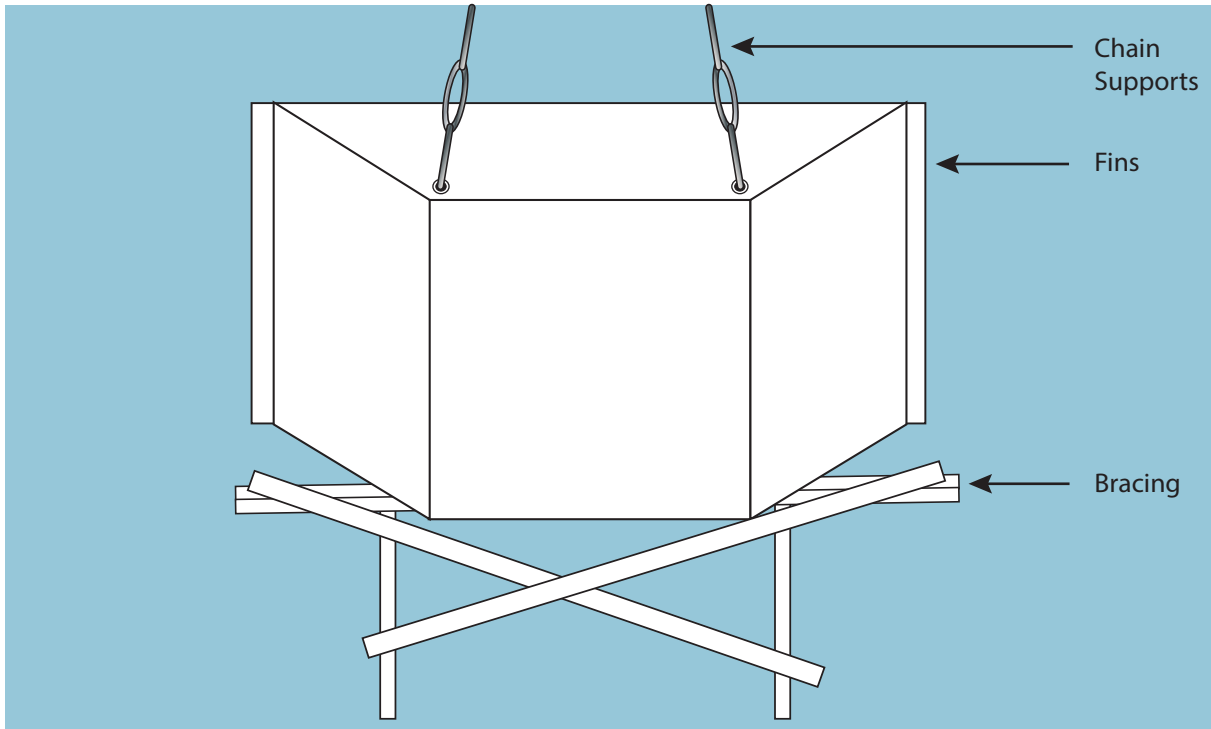
2

Determine "J" dimension (Jamb Depth). This is the measurement of the wall depth from inside the drywall to exterior sheathing. Do not include the finished exterior siding in this dimension. For existing openings, measure the jamb of a nearby door or window within the same wall. Measure only the face of the existing jamb, inside-casing to inside-casing.

3

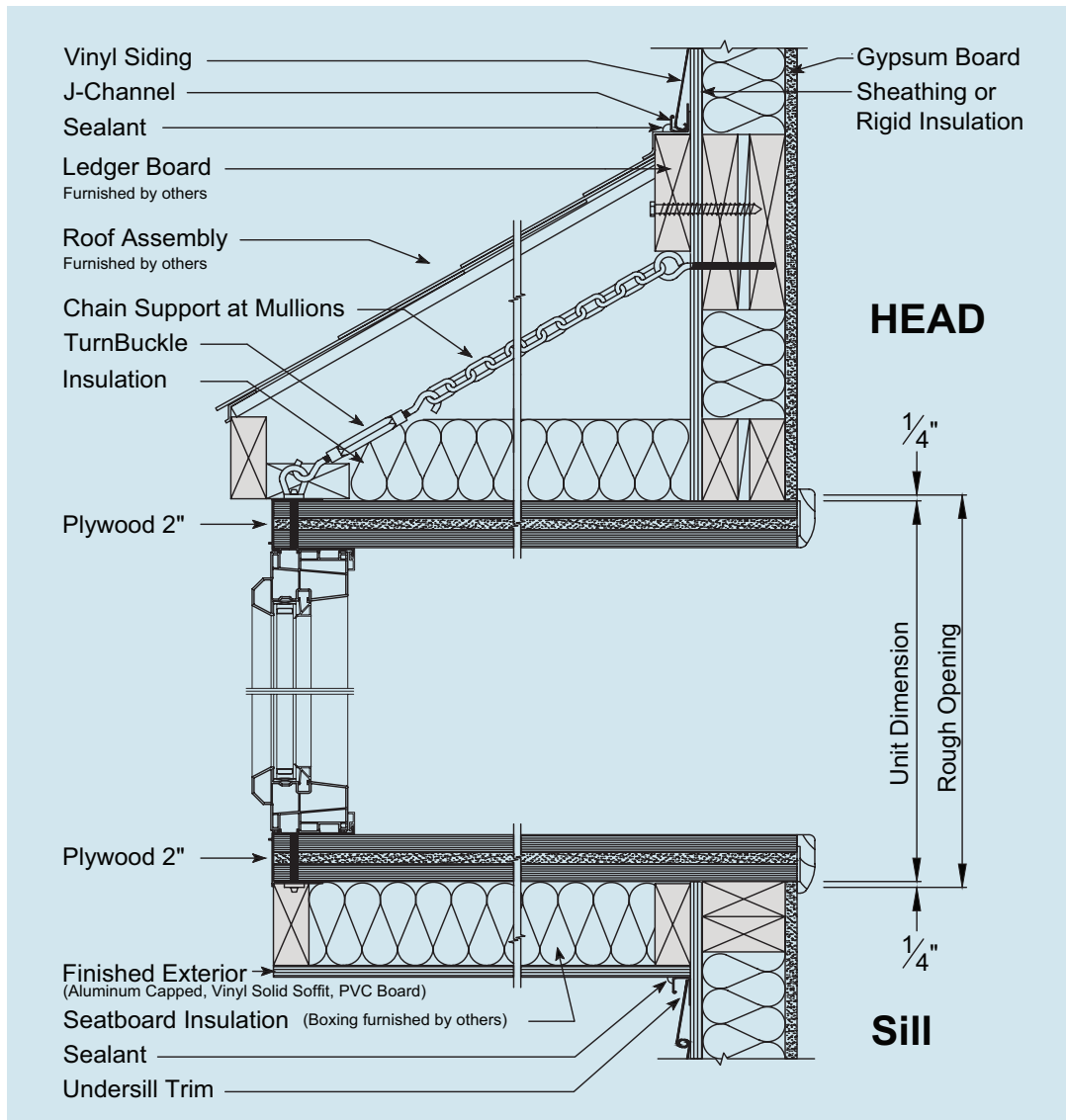
Determine "P" dimension (Projection). Viwinco makes 10 degree, 30 degree, and 45 degree bay windows. Each will have a different projection. Select one that best fits your site condition. For example, if the bow window is located on the eave side of the roof, make sure the projection of the window does not exceed the overhang of the roof above.

Bay and Bow Measuring and Installation Instructions (page 2)



- 4 Installation.**
- Once the new bay window dimensions have been confirmed, construct temporary bracing to support the window until the chain support system that comes with the unit can be installed. Use a level to determine the height of the bracing. It should measure approximately 1/4" above level. To elevate the bracing for larger bay or bow units, the use of a jack is recommended.
- 5** Apply a nominal 1/2" bedding bead of sealant to the posterior of the nail fin at either side of the bay or bow unit.
- Carefully set the window into place, and check again for level.
 - Adjust the jack or shim the bracing height until the front of the bay or bow unit is just above level.
 - Center the window in the opening.
 - Install shims along each side between the window jamb and the stud wall at every anchor point.
 - Fasten the window through the jambs at approximately every 6" using an approved fastener (Note: fasteners must penetrate frame wall to at least 1" deep).
 - Countersink the fastener and fill holes with wood putty or a tapered plug (not provided).
- 6** Install chain support kit with turnbuckles (provided). Anchor chain supports into frame wall with a lag screw that penetrates the framing at least 1-1/2". The angle of the chain must be greater than 15 degrees.

Bay and Bow Measuring and Installation Instructions (page 3)



- 7** Remove temporary bracing. Check for level, and adjust turnbuckles of chain support system if needed.

 - Frame and insulate underside of seatboard as shown and cover with a finish material.
- 8** Fiberglass insulation should be placed on top of the bay unit underneath the roofing system. Install roof system (standing seam metal, shingle, or shake roof) as per manufacturer instructions, over the head of the bay or bow. Flash into wall. Roof systems vary and are not included in bay or bow window purchase. If installing under soffit, must be flashed properly on top of the unit.